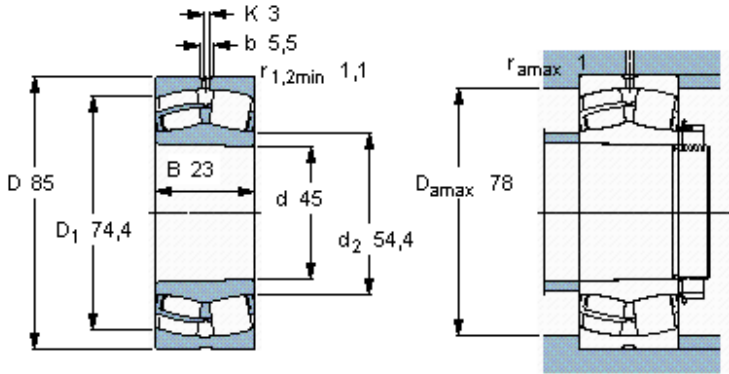


Spherical roller bearings, cylindrical and tapered bore

Principal dimensions			Basic load ratings		Speed ratings	Limiting speed	Designation
d	D	B	dynamic C	static C0	Reference speed		* SKF Explorer bearing
mm			kN		r/min		-
<b>45</b>	85	23	104	98	7500	10000	22209 EK *



Tapered bore, taper  
1: 12

**Calculation factors**

- e 0,26
- $Y_1$  2,6
- $Y_2$  3,9
- $Y_0$  2,5